



ZSPEC® Flow Control is a top-quality valves and fittings supplier serving the oilfield, industrial, marine and agricultural industries.

Based out of Houston, Texas, ZSPEC® supplies top-quality valves and fittings to distributors throughout the United States. We are guided by a singular determination to do whatever it takes to be a reliable supplier for our customers with our ready-to-ship inventory.

You can learn more about our ZSPEC® product offerings in the corresponding product catalogue and at our website,

TABLE OF CONTENTS

BUTTERFLY VALVES 3, 4

BALL VALVES 4, 5

CHECK VALVES 6

GATE VALVES 7

NEEDLE VALVES 7

EXPANSION JOINTS 7

SEAMLESS NIPPLES 7

SWAGE NIPPLES 8

BOLTED SLEEVE COUPLINGS 8

BULLDOG TANK UNIONS 8

HAMMER UNIONS 9

SWIVEL JOINTS 10

PUP JOINTS 10

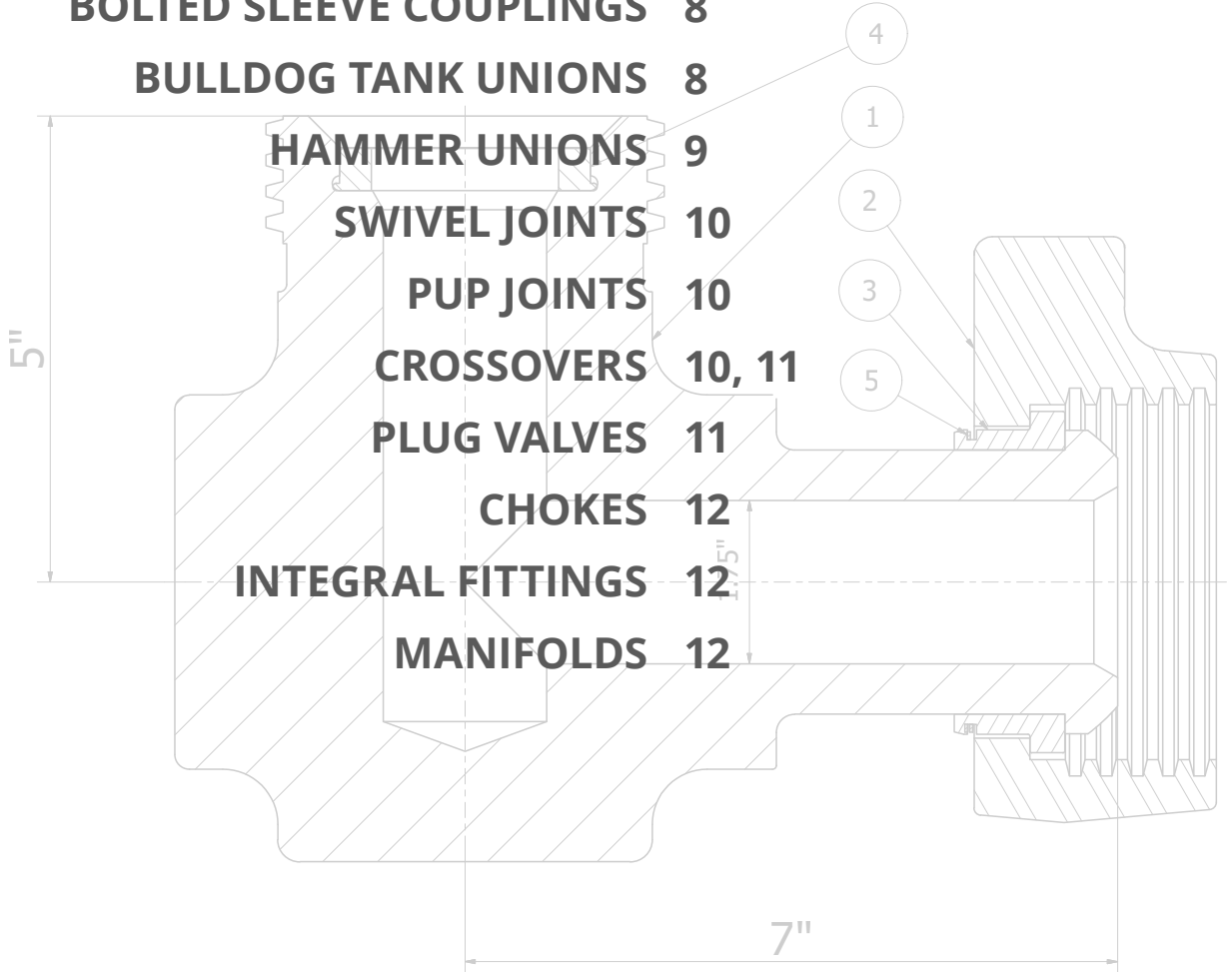
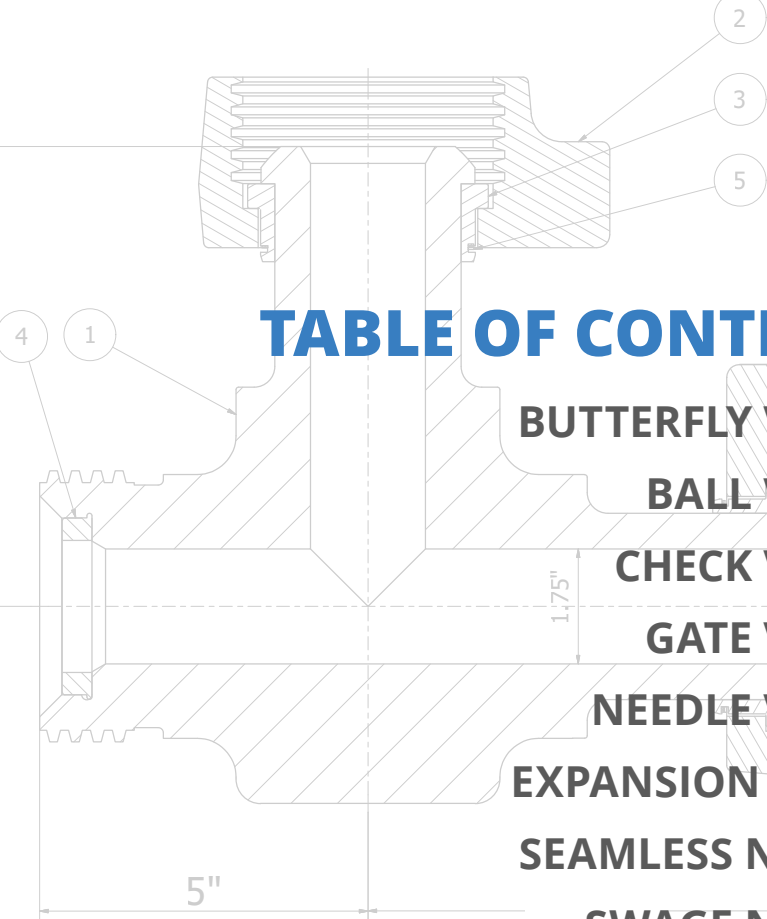
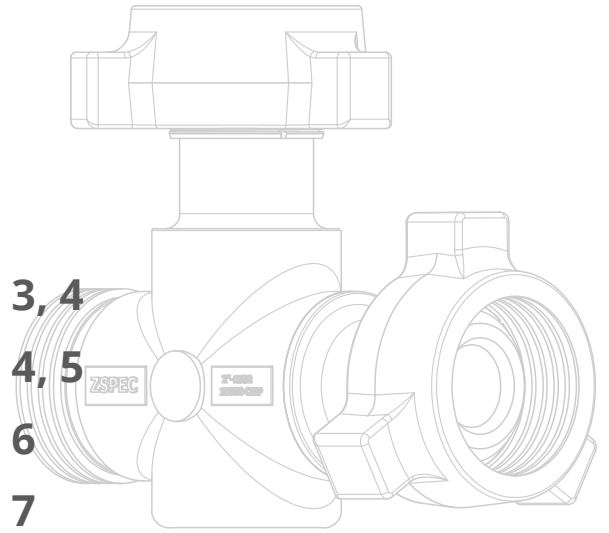
CROSSOVERS 10, 11

PLUG VALVES 11

CHOKES 12

INTEGRAL FITTINGS 12

MANIFOLDS 12



BUTTERFLY VALVES

BW Series Butterfly Valve



Wafer Style w/ Guide Holes, Long Neck Design
200 PSI NSCWP
Sizes: 2" thru 20"
(larger diameters are available)

BL Series Butterfly Valve



Lug Style Valve, Long Neck Design
200 PSI NSCWP
Sizes: 2" thru 20"
(larger diameters are available)

RL Series Butterfly Valve



Lug Style Valve, 2-pc Stem Design
200 PSI NSCWP
Sizes: 2" thru 12"

RRW Series Butterfly Valve



Round Wafer Style, Long Neck Design
200 PSI NSCWP
Sizes: 2" thru 12"

RNW Series w/ Square Stem



Notched Body Wafer Style, Short Neck Design, Square Stem
200 PSI NSCWP
Sizes: 2" thru 12"

RNW Series Butterfly Valve



Notched Body Wafer Style, Short Neck Design
200 PSI NSCWP
Sizes: 2" thru 12"

RNW Teflon Series Butterfly Valve



Notched Body Wafer Style, Short Neck Design
150 PSI NSCWP
Sizes: 2", 3", 4", 6"

G Series Grooved End Butterfly Valve



200 PSI NSCWP
Sizes: 2" thru 12"

RNW6BT Series Butterfly Valve



6 Bolt Notched Body Wafer Style, Short Neck Design, Square Stem
200 PSI NSCWP
Sizes: 3", 4", 5"

Handle for Butterfly Valves



All butterfly Valves come standard with handles, however spare handles may be purchased. They are available for DD and Square stemmed valves.

T Series Threaded End Butterfly Valve



200 PSI NSCWP
Sizes: 2", 3", 4", 6"

Stem Extension for Butterfly Valves

Stem Extensions are available for all Butterfly Valves. Standard lengths are 2 ft and 4 ft.

BUTTERFLY VALVES

Gear Op for Butterfly Valves



Gear Operators are available for all butterfly valves.

Pneumatic Actuators



Direct Mount Pneumatic Actuators are available for all butterfly valves 2" thru 12".

BALL VALVES

BBV Series Brass Ball Valve



Full Port, FNPT Ends, Locking Device Handle
600 PSI NSCWP
Sizes: 1/4" thru 4"

BBVH Series Heavy Duty Brass Ball Valve



Valve
Heavy Weight Body, Full Port, FNPT Ends, Locking Device Handle
600 PSI NWCWP
Sizes: 1", 2", 2-1/2", 3", 4"

1000 Series Oilfield Ball Valve



NACE MR0175, FNPT Ends, Locking Device Handle
1000 PSI NSCWP
Sizes: 1" FP, 2" RP, 2" FP, 3" RP, 3" FP, 4" RP

1500 Series Oilfield Ball Valve



NACE MR0175, FNPT Ends, Locking Device Handle
1500 PSI NSCWP
Sizes: 1" FP, 2" RP

2000 Series Oilfield Ball Valve



NACE MR0175, FNPT Ends, Locking Device Handle
2000 PSI NSCWP
Sizes: 1" FP, 2" RP, 2" FP, 2-1/2" FP, 3" RP, 3" FP, 4" RP, 4" FP

3000 Series Oilfield Ball Valve



NACE MR0175, FNPT Ends, Locking Device Handle
3000 PSI NSCWP
Sizes: 1" FP, 2" RP, 2" FP, 2-1/2" FP, 3" FP, 4" FP

3600 Series Oilfield Ball Valve



NACE MR0175, EUE 8Rnd Ends, Locking Device Handle
3600 PSI NSCWP
Sizes: 2-3/8, 2-7/8

5000 Series Oilfield Ball Valve



NACE MR0175, FNPT Ends, Locking Device Handle
5000 PSI NSCWP
Sizes: 1" FP, 2" RP, 2" FP, 2-1/2" FP, 3" FP

BALL VALVES

BS2K Series Barstock Ball Valve



NACE MR0175, B16.34 Design, FNPT Ends, Standard Non Locking Handle
2000 PSI NSCWP
Sizes: 1/4" thru 2"

BS2K-L Series Barstock Ball Valve



NACE MR0175, B16.34 Design, FNPT Ends, Locking Device Handle
2000 PSI NSCWP
Sizes: 1/4" thru 2"

CS2K Series Seal Welded WCB Ball Valve



NACE MR0175, Full Port, FNPT Ends, Locking Device Handle
2000 PSI NSCWP
Sizes: 1/4" thru 2"

CS1K Series Seal Welded WCB Ball Valve



NACE MR0175, Full Port, FNPT Ends, Locking Device Handle
1000 PSI NSCWP
Sizes: 2-1/2", 3", 4"

SS2K Series Seal Welded CF8M Ball Valve



NACE MR0175, Full Port, FNPT Ends, Locking Device Handle
2000 PSI NSCWP
Sizes: 1/4" thru 2"

SS1K Series Seal Welded CF8M Ball Valve



NACE MR0175, Full Port, FNPT Ends, Locking Device Handle
1000 PSI NSCWP
Sizes: 2-1/2", 3", 4"

SSR1K Series Reduced Port CF8M Ball Valve



Reduced Port, FNPT Ends, Locking Device Handle
1000 PSI NSCWP
Sizes: 1/4" thru 2"

BVICS Series WCB Isolator Ball Valve



NACE MR0175, Full Port, Locking Device Handles
1": 2000 PSI NSCWP, 2": 1500 PSI NSCWP

BVISS Series CF8M Isolator Ball Valve



NACE MR0175, Full Port, Locking Device Handles
1": 2000 PSI NSCWP,
2": 1500 PSI NSCWP

CS6K Series WCB Seal Welded Ball Valve



NACE MR0175, Firesafe to API607, B16.34, Full Port up to 1-1/2" size, FNPT Ends, Locking Device Handle
6000 PSI NSCWP
Sizes: 1/4" thru 2"

SS6K Series CF8M Seal Welded Ball Valve



NACE MR0175, Firesafe to API607, B16.34, Full Port up to 1-1/2" size, FNPT Ends, Locking Device Handle
6000 PSI NSCWP
Sizes: 1/4" thru 2"

CHECK VALVES

BCV Series 200 PSI Brass Check Valve



FNPT Ends
200 PSI NSCWP
Sizes: 3/8" thru 4"

BCVR Series 300 PSI Brass Oring Style Check Valve



FNPT Ends, Clapper Oring
300 PSI NSCWP
Sizes: 1", 2", 3", 4"

BCVRG Series 300 PSI Grooved End Brass Oring Style Check Valve



Grooved Ends, Clapper Oring
300 PSI NSCWP
Sizes: 2", 3", 4"

D Series Ductile Iron Swing Check Valve



Valve

NACE MR0175, FNPT Ends
Available Pressures: 300, 600, 1000,
1500 and 2000 PSI NSCWP
Sizes: 1", 2", 2-1/2", 3", 4"

C Series WCB Swing Check Valve



NACE MR0175, FNPT Ends
Available Pressures: 3000 and 5000
PSI NSCWP
Sizes: 1", 2", 3"

ICV Series 316SS Inline Check Valve



MNPT x FNPT Ends
Viton O Ring
6000 PSI NSCWP
Sizes: 1/8", 1/4", 1/2", 3/4", 1"

1000# CF8M Swing Check Valve



1000# CF8M Swing Check Valve
FNPT Ends
1000 PSI NSCWP
Sizes: 1/2" thru 2"

GATE VALVES

BGV Series Brass Gate Valve



FNPT Ends
200 PSI NSCWP
Sizes: 3/8" thru 4"

QL Series Quick Lever Brass Gate Valve



FNPT Ends
Sizes: 2", 3", 4", 6"

NEEDLE VALVES

NV Series Needle Valve



Types: Standard or Mini
Configurations: FNPT x FNPT or MNPT x FNPT
Pressures: 6000 PSI NSCWP or 10000 PSI NSCWP
Materials: A105 or 316 SS
Sizes: 1/4", 1/2", 3/4", 1"

EXPANSION JOINTS

Style 101 150# Expansion Joint



Nitrile with Neoprene Cover
225 PSI NSCWP
Sizes: 2" thru 12"

SEAMLESS NIPPLES

S80 and XXH A106 Seamless Nipples



Diameters: 1/4" thru 6"
Lengths: CL thru 12"

SWAGE NIPPLES

A106B Swage Nipples



Diameters: 2" thru 10"
STD, XH, XXH

BOLTED SLEEVE COUPLINGS

Bolted Sleeve Coupling



Diameters: 1" thru 16"
Lengths: 5", 7", 12", 16" 24"

Spare Parts for Bolted Sleeve Couplings



Bolts: 5/8 x 8, 5/8 x 11, 5/8 x 15,
5/8 x 19, 5/8 x 27
Gaskets: 1" thru 16" available in
Nitrile Rubber



BULLDOG TANK UNIONS

ZSPEC® is an authorized distributor of Bulldog Tank Unions

Air Grip Unions



Sizes: 4" thru 16"

Frac Tank Unions



Sizes: 8"
Male Socket Weld Sub with Nut

Frac Nipple



Sizes: 8"

Mud Tank Unions



Sizes: 3" thru 16"

Frac Plug



Sizes: 8"

HAMMER UNIONS



ZSPEC® Hammer Unions are manufactured from high quality forgings and castings. The figure appropriate materials are selected for each respective figure number. Threaded and Butt Weld end connections are both readily available. Material traceability and MTRS are available on all hammer unions.

Figure No.	Color Code	NON-SHOCK COLD WORKING PRESSURE RATING (PSI) STANDARD SERVICE		Nominal Pipe Size (inches)											
		NSCWP	TEST	1"	1.25"	1.5"	2"	2.5"	3"	4"	5"	6"	8"	10"	12"
100	Yellow/Black	1000	1500				●	●	●	●	●	●	●		
110	Burnt Orange/Burnt Orange	2500	3750				●								
110	Brown/Brown	4000	6000				●		●						
200	Gray/Blue	2000	3000	●	●	●	●	●	●	●		●	●	●	
201	Gray/Beige	3000	4000				●	●							
206	Gray/Blue	2000	3000	●	●	●	●	●	●	●		●	●	●	
207	Gray/Blue	2000	3000						●	●		●			
211	Blue/Gray	2000	3000				●		●						
300	Light Orange/Gray	2000	3000	●			●								
301	Gray/Gray	3000	4500				●								
400	Maroon/Black	4000	6000				●		●	●					◆
402	Black/Black	4000	6000				●								
G	Silver/Orange	6000	9000			●	●								
602	Orange/Black	6000	9000	●		●	●	●	●	●					
1002	Blue/Red	10000	15000	●		●	●		●	●	◆	◆			
1003	Green/Black	7500	11250						●	●	●				
1502	Red/Blue	15000	22500	●		●	●	●	●	●	●				

◆ indicates a reduction in working pressure as listed: 12" Fig 400: NSCWP = 2500 psi (3750 psi test)
5" Fig 1002 Threaded: NSCWP = 5000psi (7500 psi test)

5" Fig 1002 Butt Weld: NSCWP = 7500 psi (11250 psi test)
6" Fig 1002 Butt Weld: NSCWP = 7500 psi (11250 psi test)

WARNINGS ON HAMMER UNIONS AND PRODUCTS THAT HAVE HAMMER UNION END CONNECTIONS

When installing and handling any pressure containing products, personnel must be qualified and properly trained on the safe installation and use of the products. Our products are designed and qualified to meet industry standards and it is the user's responsibility in making the appropriate selection of products through any required design and/or analysis of the user's requirements so that the products will not pose any health or safety hazards. Failure to adhere to the warnings listed on this form may result in personal injury or death.

Never strike, impact, tighten or loosen pressurized unions or connections.

Complete and proper make-up of union components is required to attain rated working pressure. Always pay

special attention during the make-up process to ensure that this is achieved.

Never use products that have been damaged or deteriorated or corroded.

Never exceed the rated working pressure of the union or connection.

Never assemble union components that are not identical in size, figure and pressure rating.

Should leakage be detected, take the appropriate steps to assure that the piping system is completely depressurized and any remaining fluid is removed and properly disposed of, then proceed to remove the affected component(s) from service and permanently dispose of the affected component(s).

For overhead installations, follow safe practices with consideration of the combined weight of all components, piping and contained fluids when sizing the piping supports and/or other necessary infrastructure to support the combined weight.

Standard hammer unions and connections are not prepped for sour gas service. Do not interchange standard and sour gas components. Hammer unions and connections prepped for sour gas service will be marked with "Sour Gas Svc." or "H2S".

When temperatures are below 32F, please use extreme caution when making or breaking union connections as the lower temperatures negatively affect the impact strength of iron and steel.

SWIVEL JOINTS

Code Silver Swivel Joints



FNPT Ends
6000 PSI NSCWP
Sizes: 1", 1-1/4", 1-1/2", 2", 3"
Styles: 10, 20, 30, 50

Swivel Joint Repair Kit



Each kit repairs one turn.
Includes all parts including the grease fitting.
Sizes: 1", 1-1/4", 1-1/2", 2", 3"

PUP JOINTS

1502 NPS Pup Joints



15000 PSI NSCWP
Sizes: 2"
Lengths from 6" up to 20 ft.

CROSSOVERS

1502 Female x Male EUE Crossover



1502 Female x 2-3/8 Male EUE or
1502 Female x 2-7/8 EUE
15000 PSI NSCWP
Sizes: 2"

1502 Female x Female Crossover



15000 PSI NSCWP
Sizes: 2", 3"

1502 Female x MNPT Crossover



15000 PSI NSCWP
Sizes: 2"

1502 Male x Male EUE Crossover



1502 Male x 2-3/8 Male EUE or 1502
Male x 2-7/8 EUE
15000 PSI NSCWP
Sizes: 2"

1502 Male x Female Crossover



15000 PSI NSCWP
Sizes: 2", 3"

1502 Male x Male Crossover



15000 PSI NSCWP
Sizes: 2", 3"

1502 Male x MNPT Crossover



15000 PSI NSCWP
Sizes: 2"

3" 1502 Female x 2" 1502 Male Crossover



15000 PSI NSCWP

CROSSOVERS

3" 1502 Male x 2" 1502 Female Crossover



15000 PSI NSCWP

4" Fig 200 Fem x 150 Flange



Available in 3" and 5-1/8" Face to Face Dimensions

Flange Adapter Assembly



4" FIG. 200 2-PC Nut
4" FIG. 206 Male x 150 Flange Adapter
4" Plug (handle type)
Chain Assembly

PLUG VALVES



ZSPEC[®] plug valves and parts are interchangeable with major brands of LT style plug valves. The valves and the replaceable components (plug, inserts, seal kits) have been engineered for maximum durability and usability.

STANDARD SERVICE

SIZE	PART #	END CONNECTION	NSCWP	END TO END DIMENSION
1 X 1	ZH0028	1502	15000 psi	10.56"
1 X 2	ZH0023	1502	15000 psi	10.56"
2 X 2	ZH0006	1502	15000 psi	13.88"
2 X 2	ZH0032	FNPT	10000 psi	9.50"
3 X 3	ZH0055	1502	15000 psi	17.00"
3 X 3 with Gear Operator	ZH0055G	1502	15000 psi	17.00"

H2S SERVICE

SIZE	PART #	END CONNECTION	NSCWP	END TO END DIMENSION
1 X 2	ZH0118	1502	10000 PSI	10.56"
2 X 2	ZH0109	1502	10000 PSI	13.88"
3 X 3	ZH0016	1502	10000 PSI	17.00"
3 X 3 W/ Gear Operator	ZH0016G	1502	10000 PSI	17.00"



Plug Valve Repair Kit

Zspec[®] plug valve repair kits include plug, seals & inserts.

Sizes: 1", 2", 3"

Adjustable Choke



15000 PSI NSCWP
Sizes: 2"

INTEGRAL FITTINGS

1502 Cross FMMM



15000 PSI NSCWP
Sizes: 2", 3"

1502 Cross MFMF



15000 PSI NSCWP
Sizes: 2"

Cushion Elbow FxM



15000 PSI NSCWP
Sizes: 2", 3"

Double Cushion Elbow FxM



15000 PSI NSCWP
Sizes: 2"

1502 Tee FFF



15000 PSI NSCWP
Sizes: 2"

1502 Tee FFM



15000 PSI NSCWP
Sizes: 2", 3"

1502 Tee FMF



15000 PSI NSCWP
Sizes: 2"

1502 Tee FMM



15000 PSI NSCWP
Sizes: 2", 3"

1502 Tee MFM



15000 PSI NSCWP
Sizes: 2"

1502 Tee MMM



15000 PSI NSCWP
Sizes: 2"

1502 MXF 9.19" Spacer



15000 PSI NSCWP
Sizes: 2"

1502 MXF 14" Spacer



15000 PSI NSCWP
Sizes: 2"

MANIFOLDS

5 Valve Dual Adjustable Choke Manifold

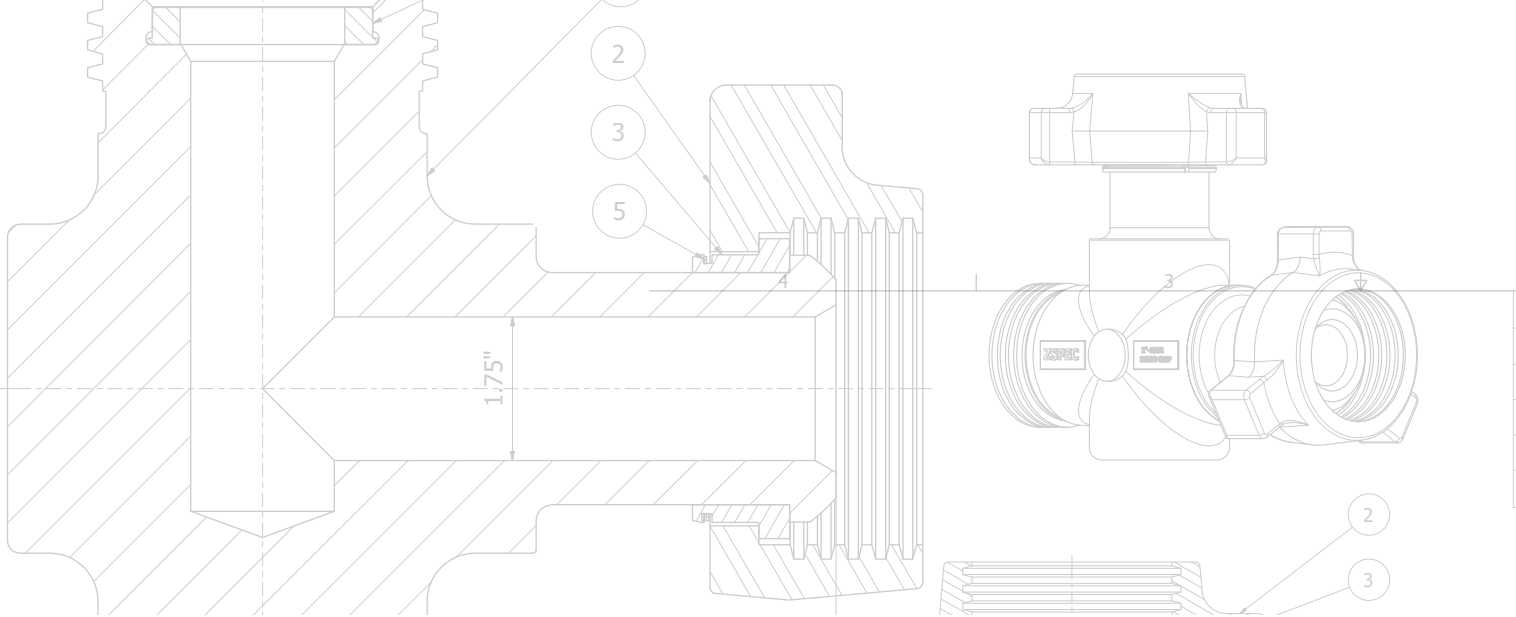


2x2 1502 Plug Valves with dual 1502 adjustable chokes. Skid Mounted

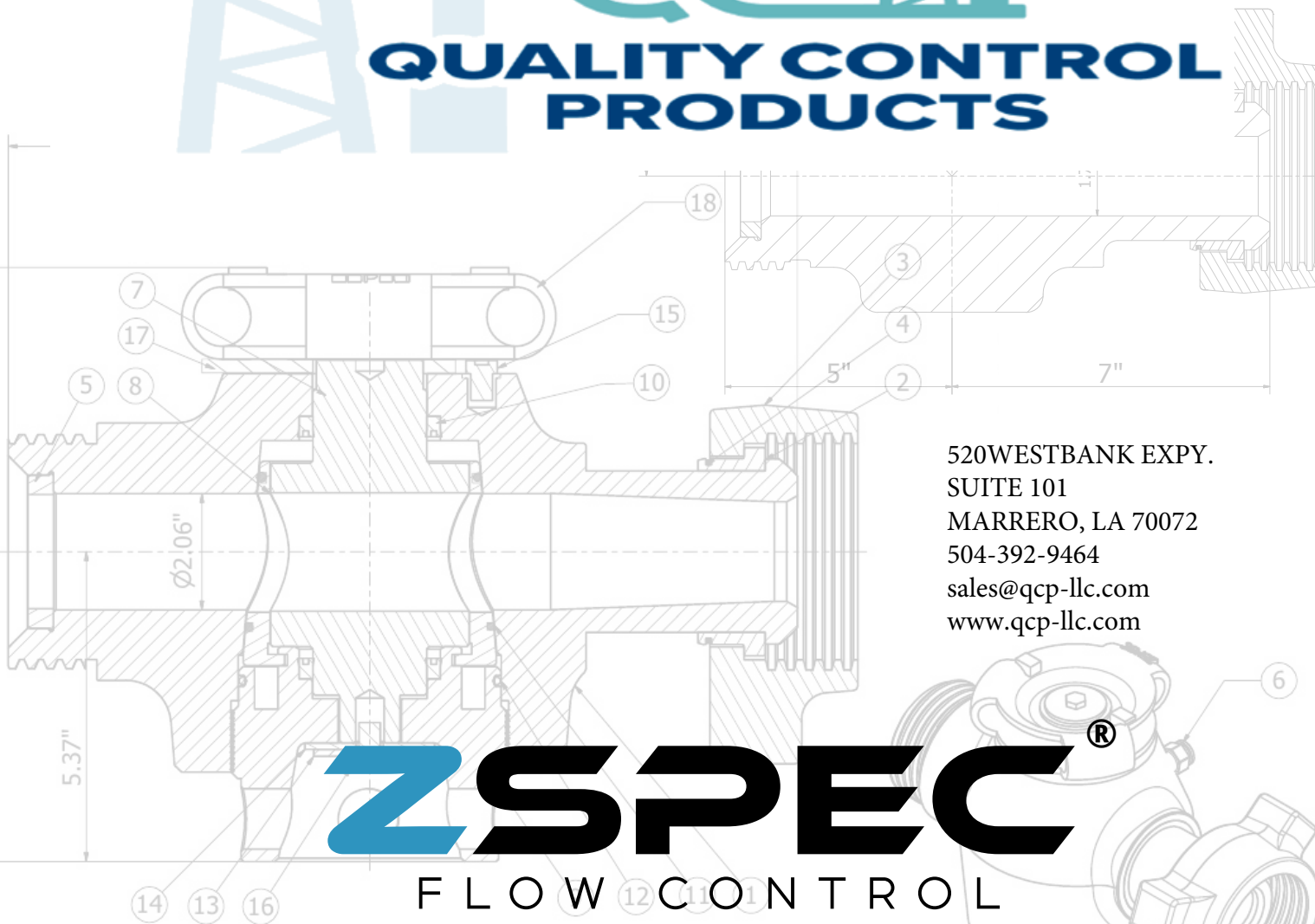
5 Valve Single Adjustable Choke Manifold



2x2 1502 Plug Valves with single 1502 adjustable chokes. Skid Mounted



**QUALITY CONTROL
PRODUCTS**



520WESTBANK EXPY.
SUITE 101
MARRERO, LA 70072
504-392-9464
sales@qcp-llc.com
www.qcp-llc.com

ZSPEC[®]

FLOW CONTROL

